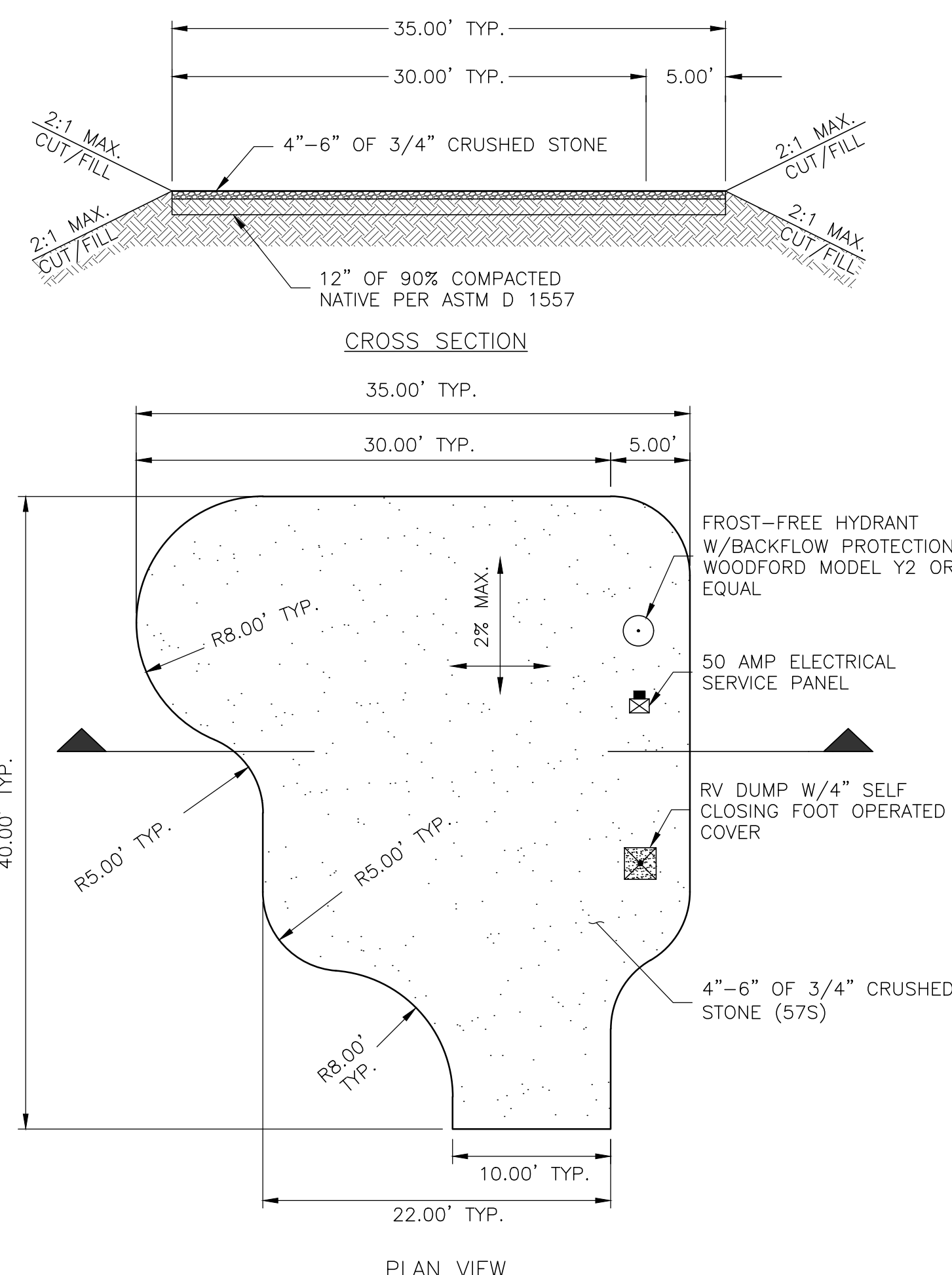
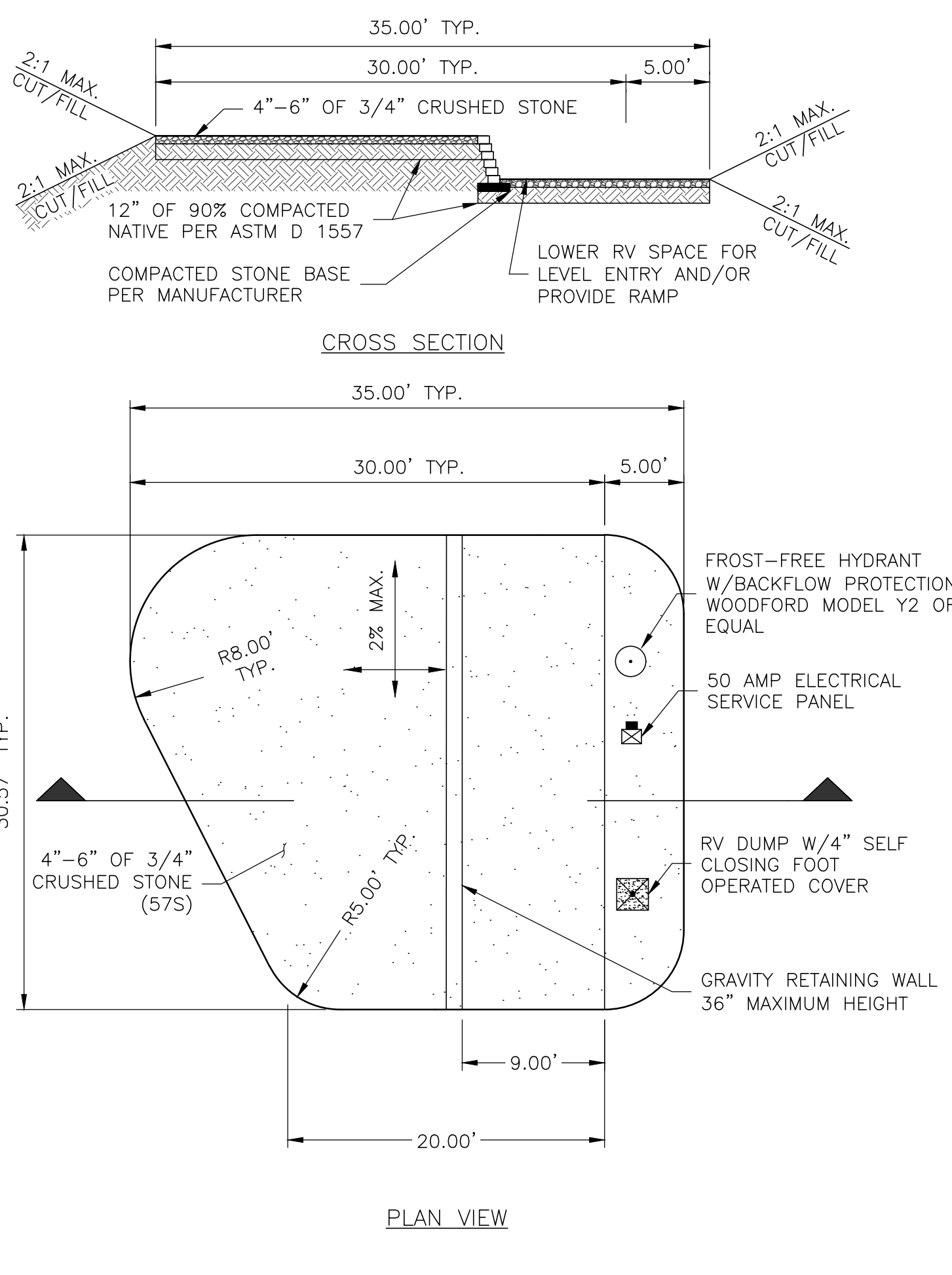


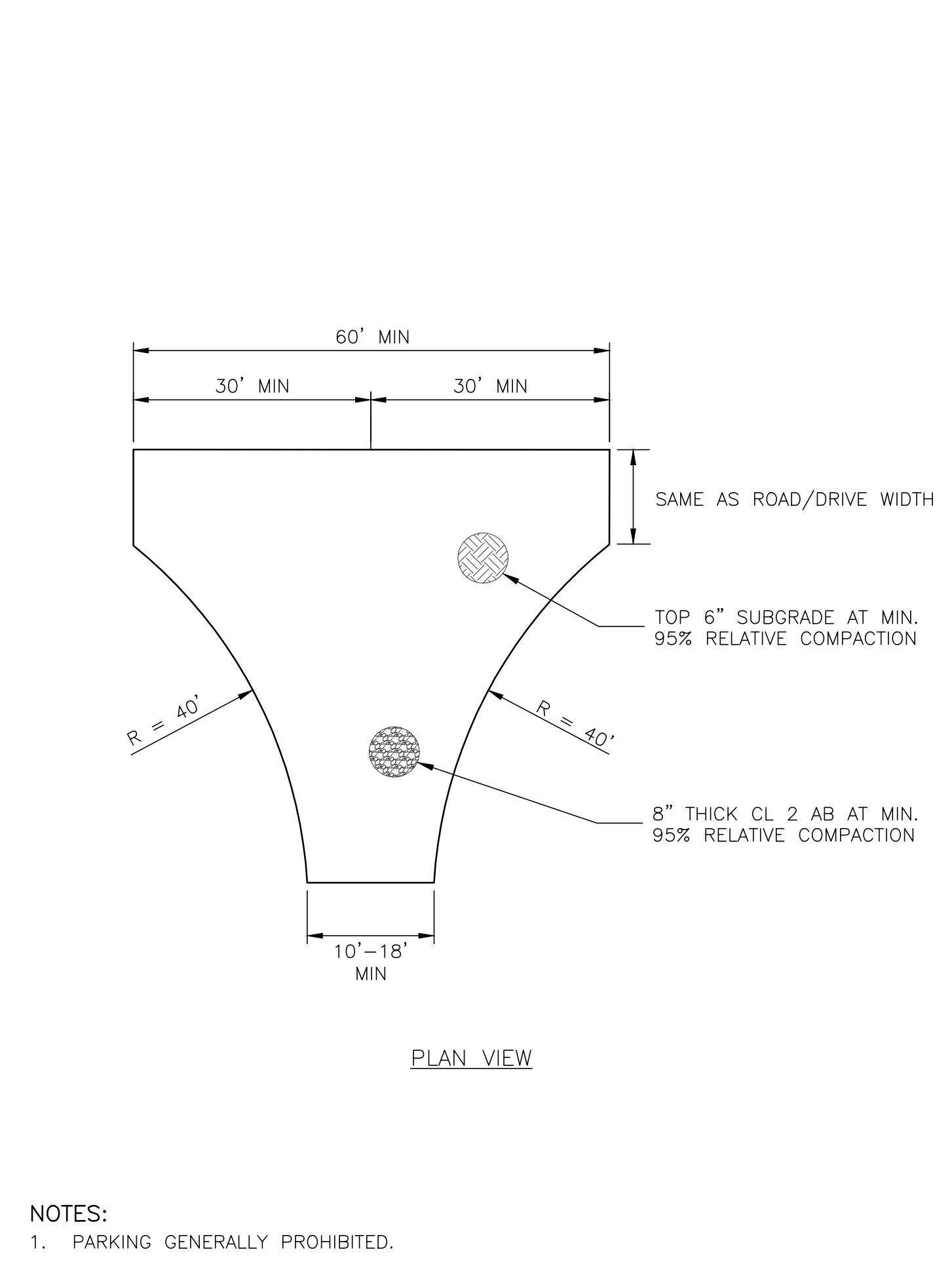
**1 TYPICAL WALK-UP PAD**  
NOT TO SCALE



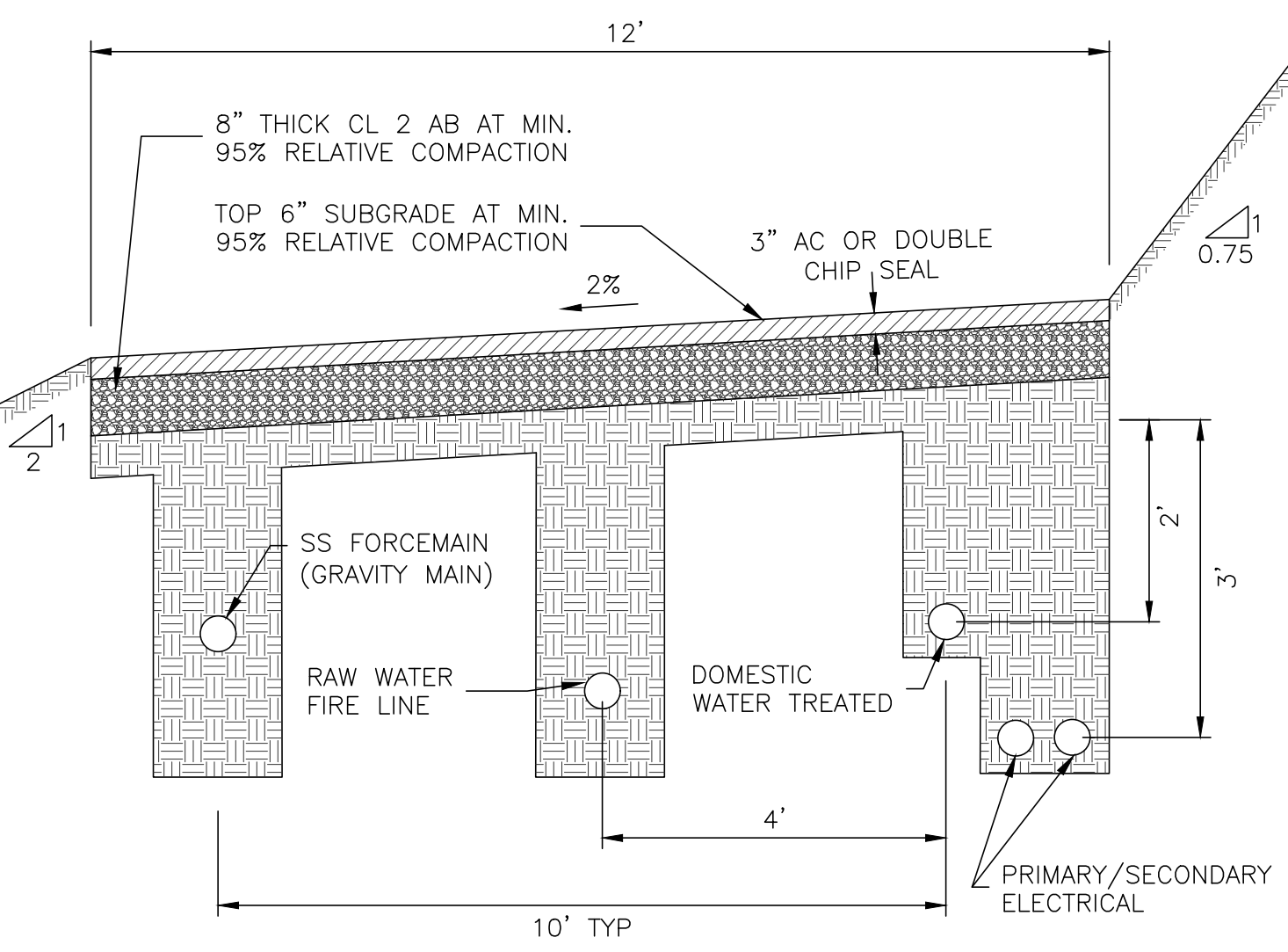
**2 TYPICAL DRIVE-UP PAD**  
NOT TO SCALE



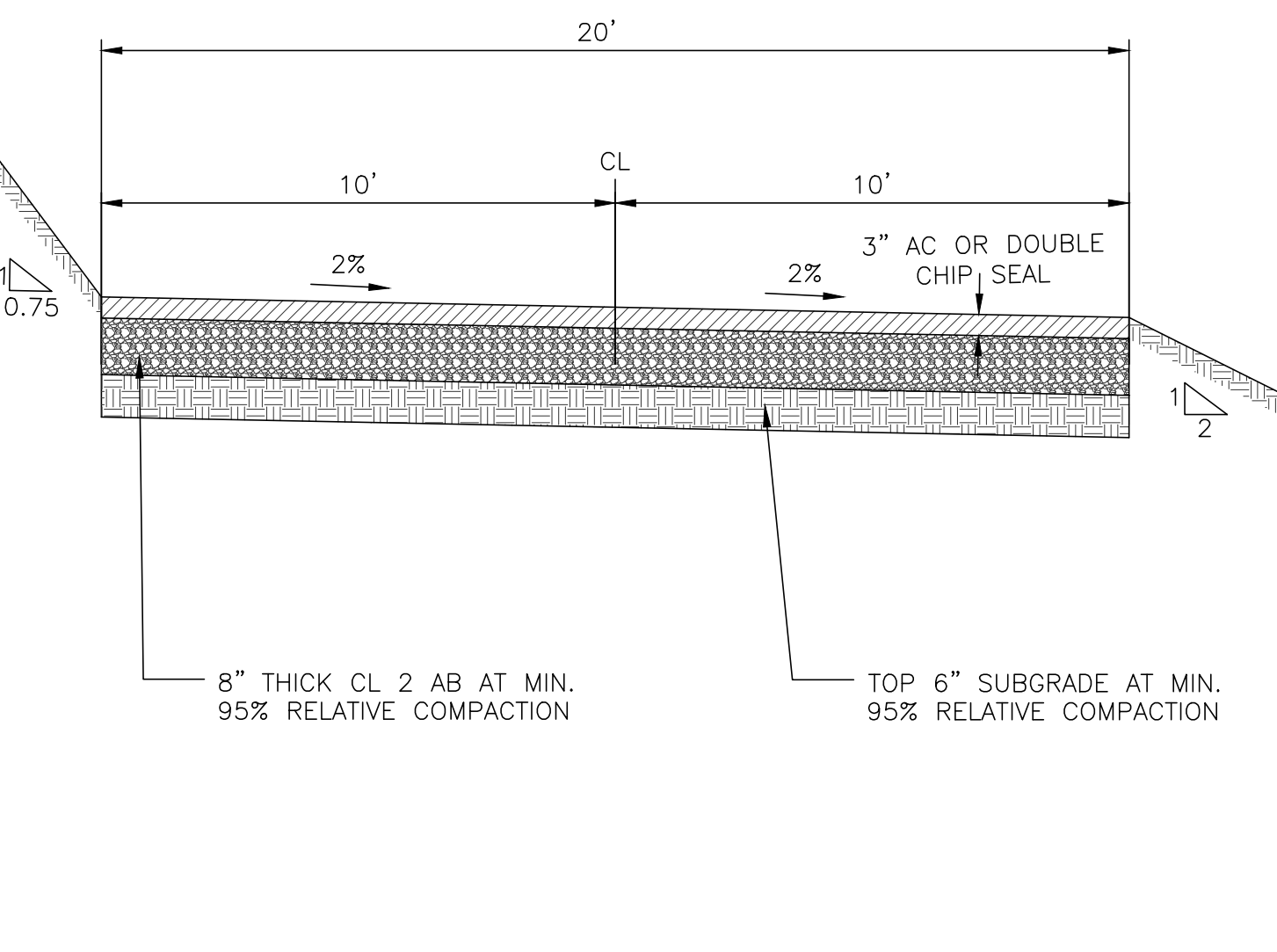
**3 HANDICAP PAD #35 & #38**  
NOT TO SCALE



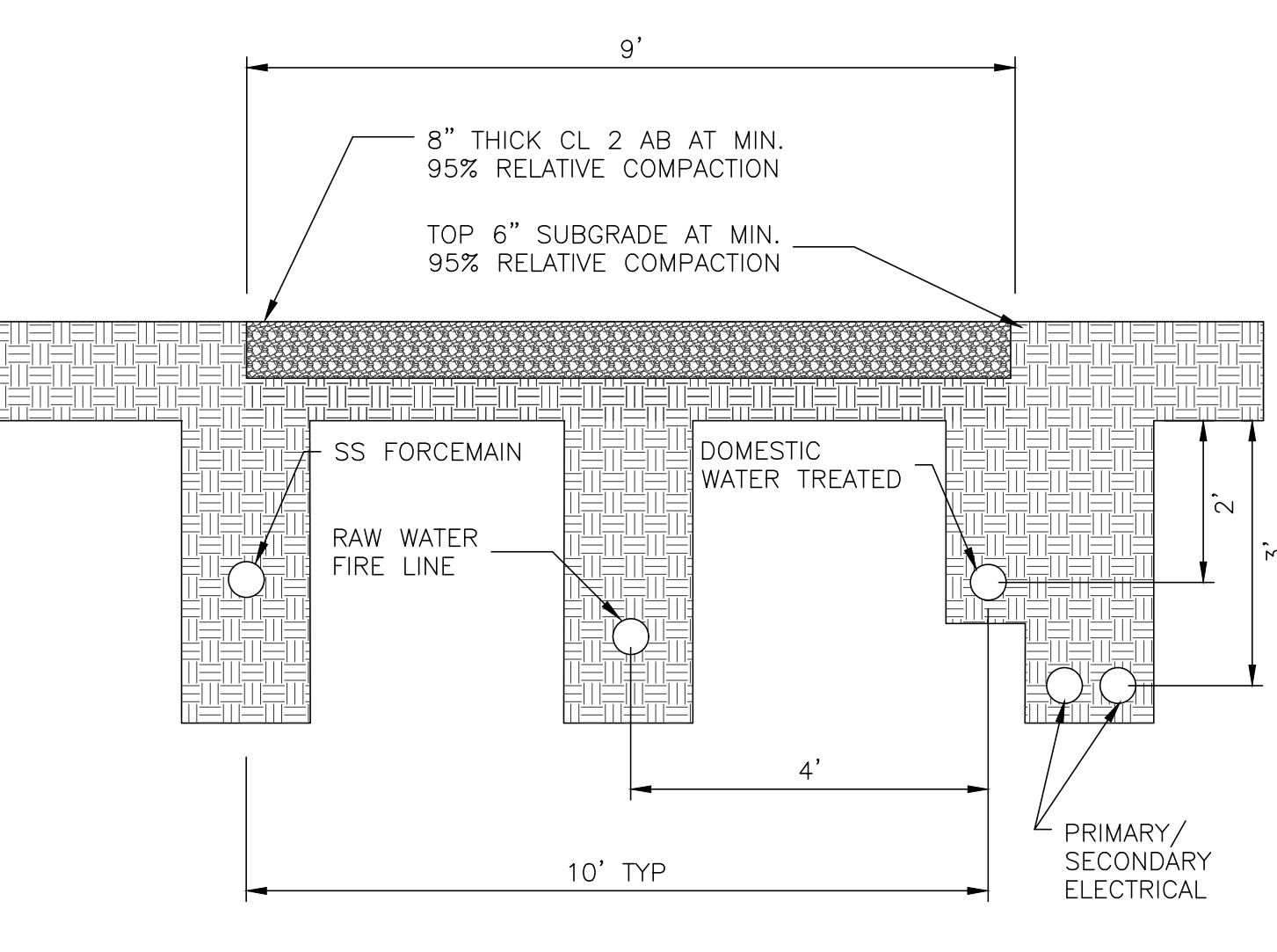
**4 TYPICAL HAMMER HEAD TURNAROUND**  
NOT TO SCALE



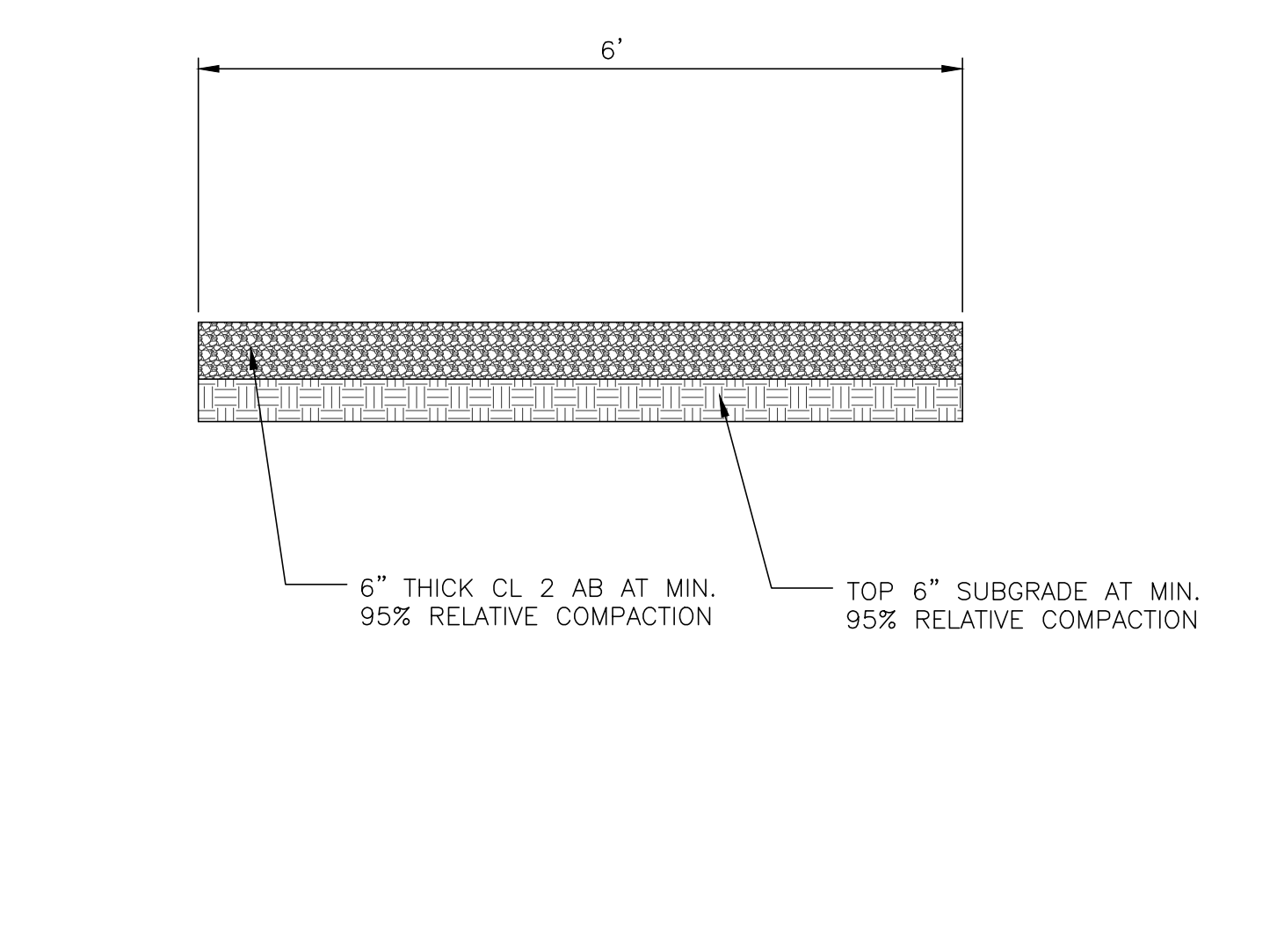
**5 STANDARD ROAD SECTION A**  
NOT TO SCALE



**6 STANDARD ROAD SECTION B**  
NOT TO SCALE



**7 STANDARD DRIVEWAY C**  
NOT TO SCALE



**8 STANDARD WALK PATH D**  
NOT TO SCALE

NO.	DATE	CHK.	DATE
0	1/30/2020	TAH	

GETAWAY HOUSE INC.  
2401 HIGHWAY 175 HOPLAND, CA  
147 PRINCE STREET,  
BROOKLYN, NY 11201

**PAD AND STREET SECTION DETAILS**

DRAWN	AR, ZH
CHECK	TAH
APPROVED	TAH
DATE	JANUARY 30, 2020
JOB NUMBER	9377.00
DRAWING	C2.0