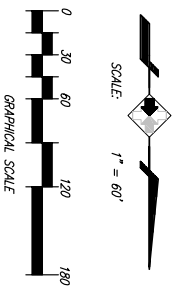


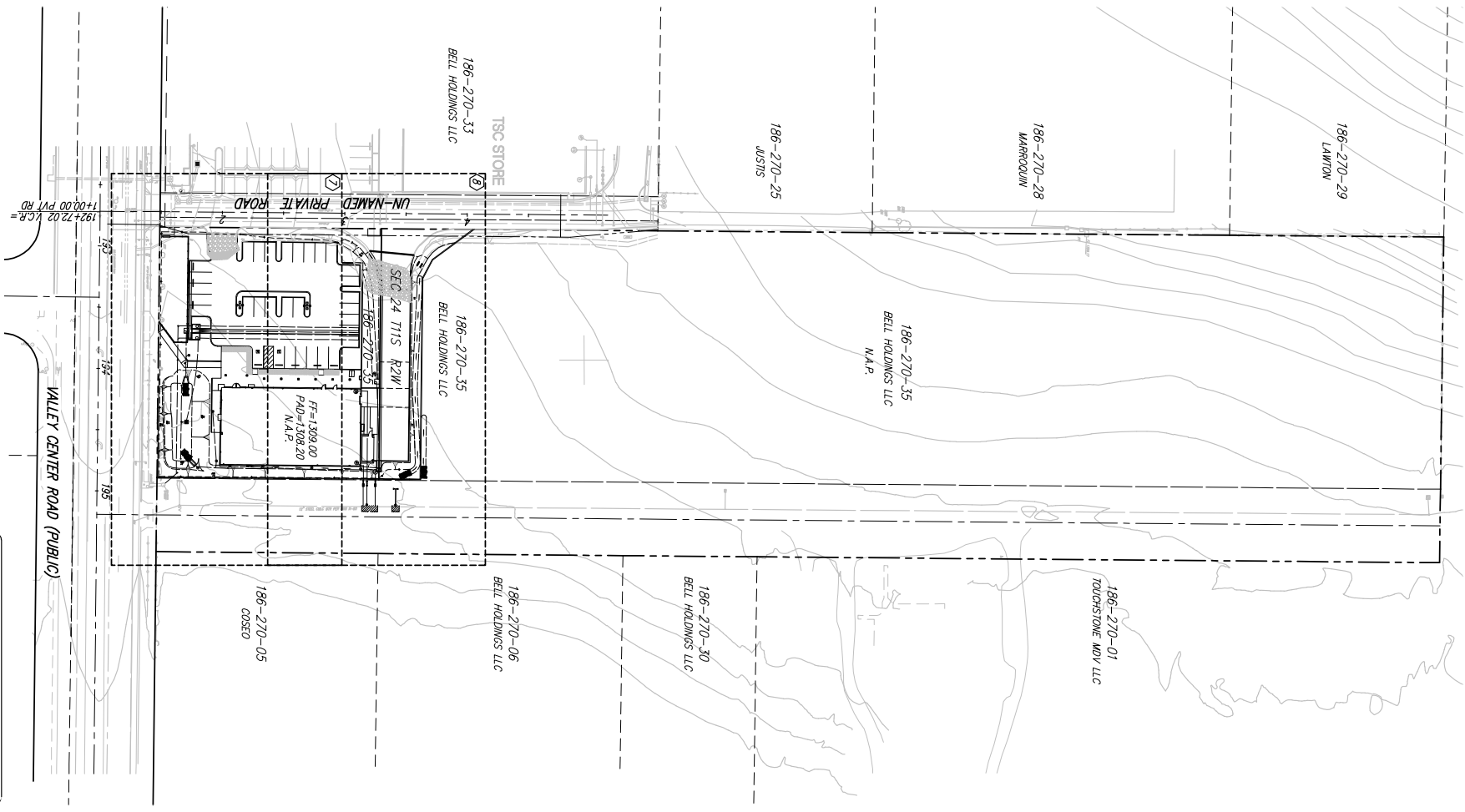
# AUTOZONE STORE 6173



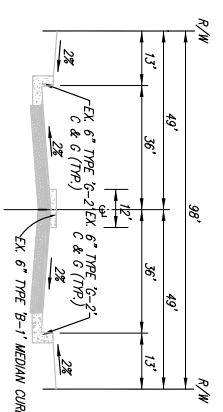
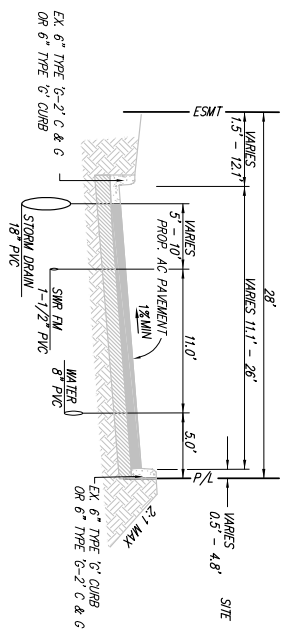
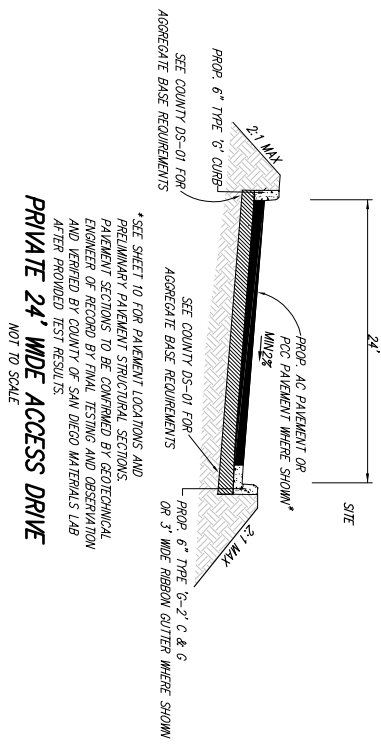
## KEY MAP

ITEMS	SYMBOL
BOUNDARY	---
SHEET NUMBER	②
STREET NAME	---
SHEET LIMITS	---
	VALLEY CENTER ROAD

ABBREVIATIONS	
A.D.	LANDSCAPE AREA DRAIN
C.I.	CENTRINE
C.O.	CLEANOUT
CONC.	CONCRETE
C & G	CURB AND GUTTER
CRB	CURB
DIA	DIAMETER
DWG	DRAWING
EX	EXISTING
FG	FINISH GRADE
FL	FLOWLINE
FM	FORCEMAN
FS	FINISHED SURFACE
GB	GRABBERK
GUY	GUY WIRE
GV	GATE VALVE
HT	HEAD
HT	HEAD MESSAGE
IE	INVERT ELEVATION
LE	IRREMOVABLE OFFER TO DEDICATE
L.P.	LOW PRESSURE
MAX	MAXIMUM
MIN	MINIMUM
W/	WITH
WTR	WATER
N.A.P.	NOT A PART
NO.	NUMBER
O.H.E.	OVERHEAD ELECTRICAL
P	PAVEMENT
PERF	PERFORATED
P.L.	PROPERTY LINE
P.P.	PRIVATE PILE
R.O.P.	REINFORCED CONCRETE PIPE
SD	STORM DRAIN
S.D.C.D.	SAN DIEGO REGIONAL STANDARD DRAININGS
SORSO	SAN DIEGO REGIONAL STANDARD DRAININGS
SHT	SHEET
S.T.A.	STATION
T.C.	TOP OF CURB
T.C/P	ZERO CURB
T.C/S	ZERO CURB
T.E.	TELEPHONE
T	TOP OF CEILING
T	TOP OF GUTTER
T	TOP OF SITE WALL
TW	TYPICAL
W/	WITH
WTR	WATER



**CAUTION!** THE LOCATION OF THE EXISTING UTILITIES AND THESE PLANS ARE APPROXIMATE AND SHALL BE VERIFIED BY THE CONTRACTOR PRIOR TO CONSTRUCTION.



**ROAD MAINTENANCE NOTE:**  
THE APPLICANT IS RESPONSIBLE FOR THE ROAD MAINTENANCE (SWEEPING AS NECESSARY) AND REPAIR OF ANY DAMAGE CAUSED BY THEM TO THE ON-SITE AND OFF-SITE CONSTRUCTION OR SUBSEQUENT OPERATIONS. THE APPLICANT WILL REPAIR THOSE PORTIONS OF THE ROAD THAT WOULD BE DAMAGED BY THE HEAVY LOADS THAT LOADED ROCKS PLACED ON THE ROUTE IDENTIFIED.

**MONUMENTATION NOTE:**  
THE CONTRACTOR SHALL BE RESPONSIBLE TO LOCATE AND PROTECT ALL SURVEY CONTROL MONUMENTS, WHETHER SHOWN ON THESE PLANS OR NOT, WITHIN THE PROJECT AREA. ALL SURVEY MONUMENTS, WHETHER FOR HORIZONTAL OR VERTICAL CONTROL, THAT WILL OR COULD BE DISTURBED OR REMOVED BY THE CONTRACTOR, OR HIS EMPLOYEES, AGENTS, SUBCONTRACTORS, CONSULTANT OR LICENSEES, SHALL BE LOCATED PRIOR TO BEING DISTURBED OR REMOVED OR REPLACED OR RESET, IN ACCORDANCE WITH THE CALIFORNIA BUSINESS AND PROFESSIONS CODE SECTION 87710.1. AT THE CONTRACTOR'S SOLE EXPENSE, UNDER THE SUPERVISION OF A LICENSED LAND SURVEYOR OR REGISTERED CIVIL ENGINEER AUTHORIZED TO PRACTICE LAND SURVEYING IN THE STATE OF CALIFORNIA. IN ADDITION, A RECORD OF SURVEY OR CORNER RECORD, AS APPLICABLE, SHALL BE FILED AND/OR RECORDED, IN ACCORDANCE WITH THE PROVISIONS OF SAID CODE.

RECORD PLAN	
BY: _____	DATE: _____
R.C.E. _____	NAME _____
EXPIRES: _____	
<b>COUNTY APPROVED CHANGES</b>	
NO. _____	DESCRIPTION: _____
APPROVED BY: _____	DATE: _____

**Alidade ENGINEERING**

41743 ENTERPRISE CIRCLE NORTH, SUITE 209  
 TEMECULA, CA 92590  
 PH: (951) 587-2020  
 FAX: (951) 587-2026

**BENCH MARK**

DESCRIPTION: COUNTY MONUMENT ES-151, 1.27' FROM BN.  
 LOCATION: 24' SOUTH OF MOOS VALLEY ROAD, 1.27' MILES EAST ALONG MOOS VALLEY ROAD FROM THE INTERSECTION OF MOOS VALLEY ROAD AND VALLEY CENTER ROAD  
 RECORD FROM: COUNTY OF SAN DIEGO  
 ELEVATION: 1392.342 DATUM: M.S.L.

**PRIVATE CONTRACT**

CALIFORNIA COORDINATE INDEX 37B-1755

KEY MAP & TYPICAL STREET SECTIONS FOR:  
**AUTOZONE STORE 6173**

APPROVED FOR WILLIAM P. MORROW  
 COUNTY ENGINEER  
 DATE: \_\_\_\_\_

ENGINEER OF WORK  
 BRENT C. MOORE, R.C.E. 59121  
 PDS2017-LOGRML-30144  
 GRADING PERMIT NO. \_\_\_\_\_

